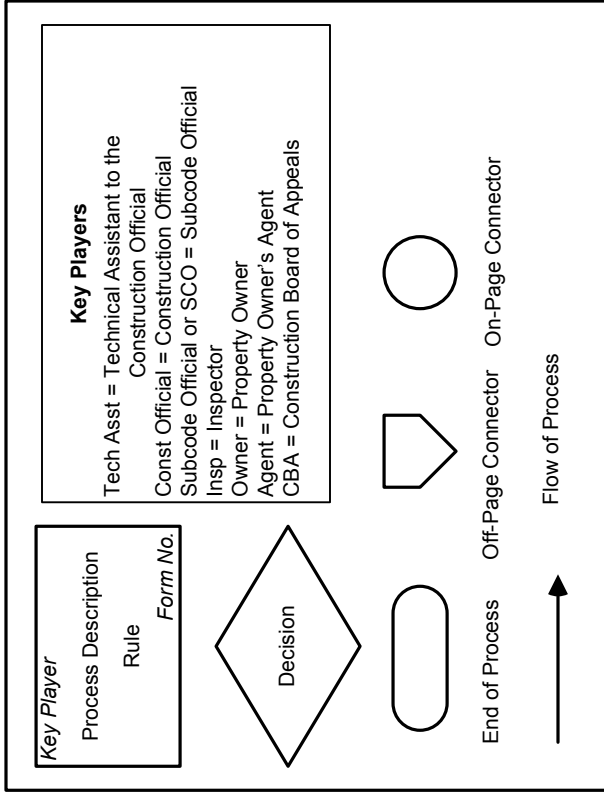


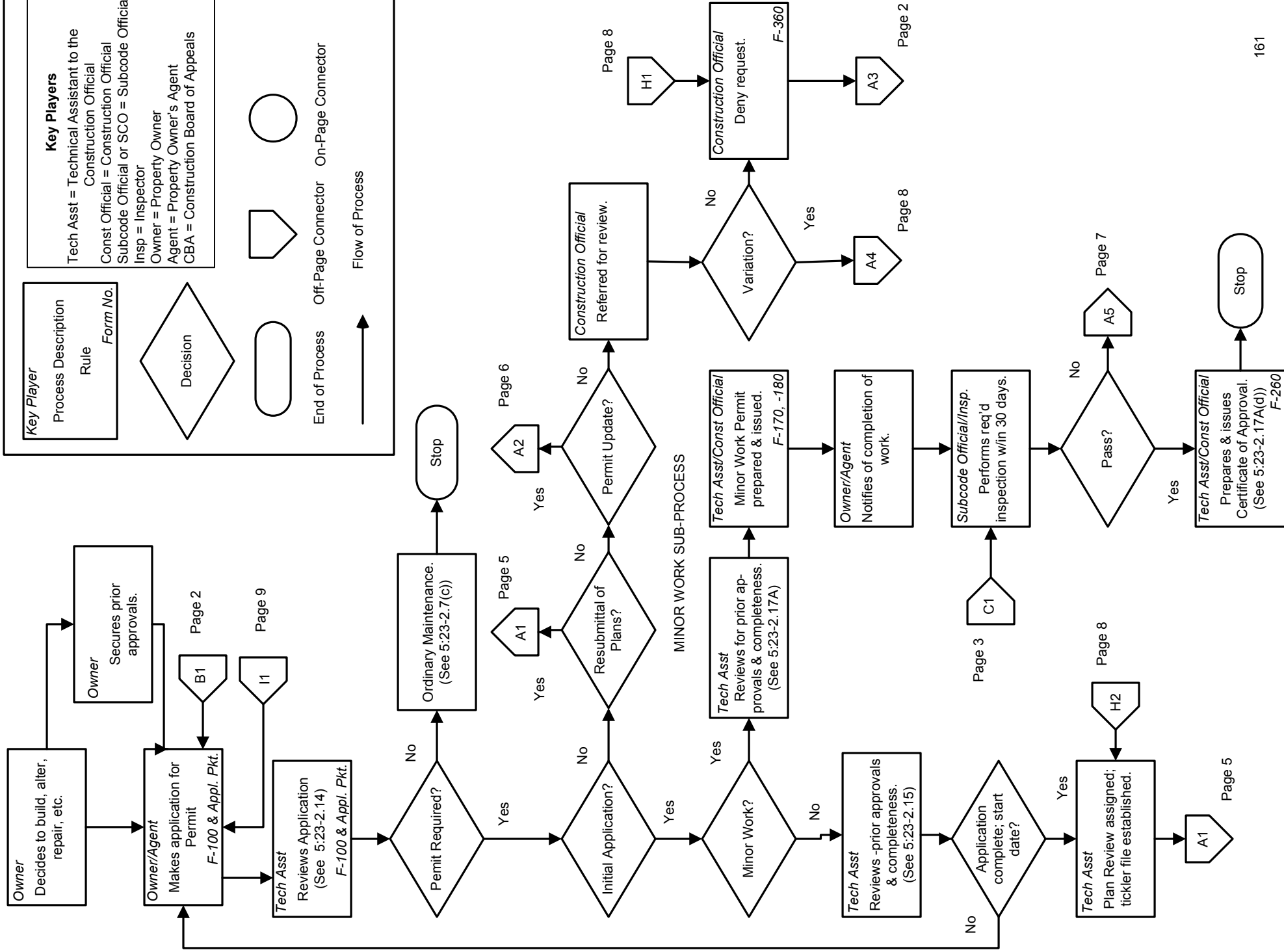
NEW JERSEY CONSTRUCTION PROCESS

(Page 1)

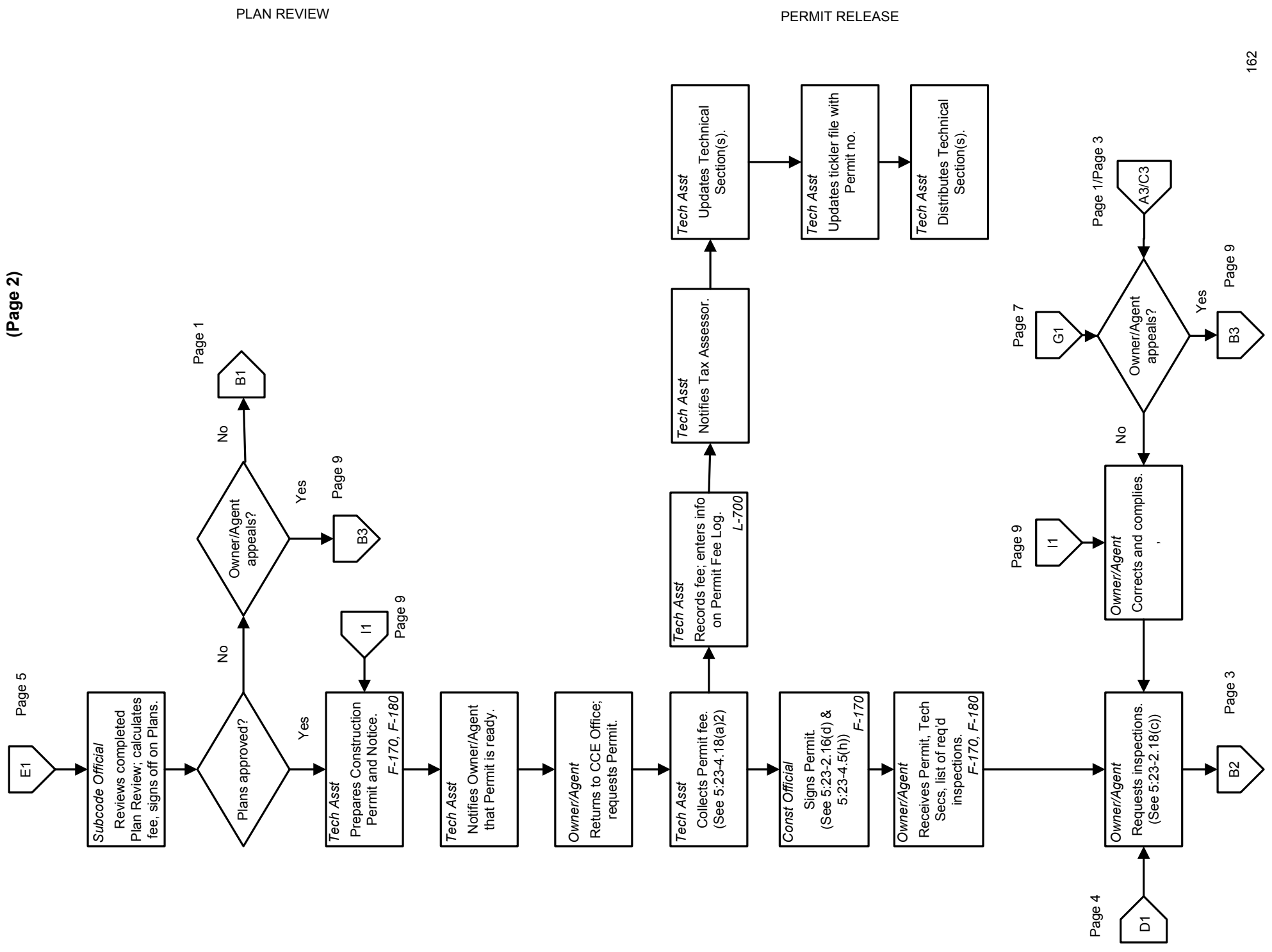
LEGEND



APPLICATION INTAKE, ROUTING AND FILE SETUP



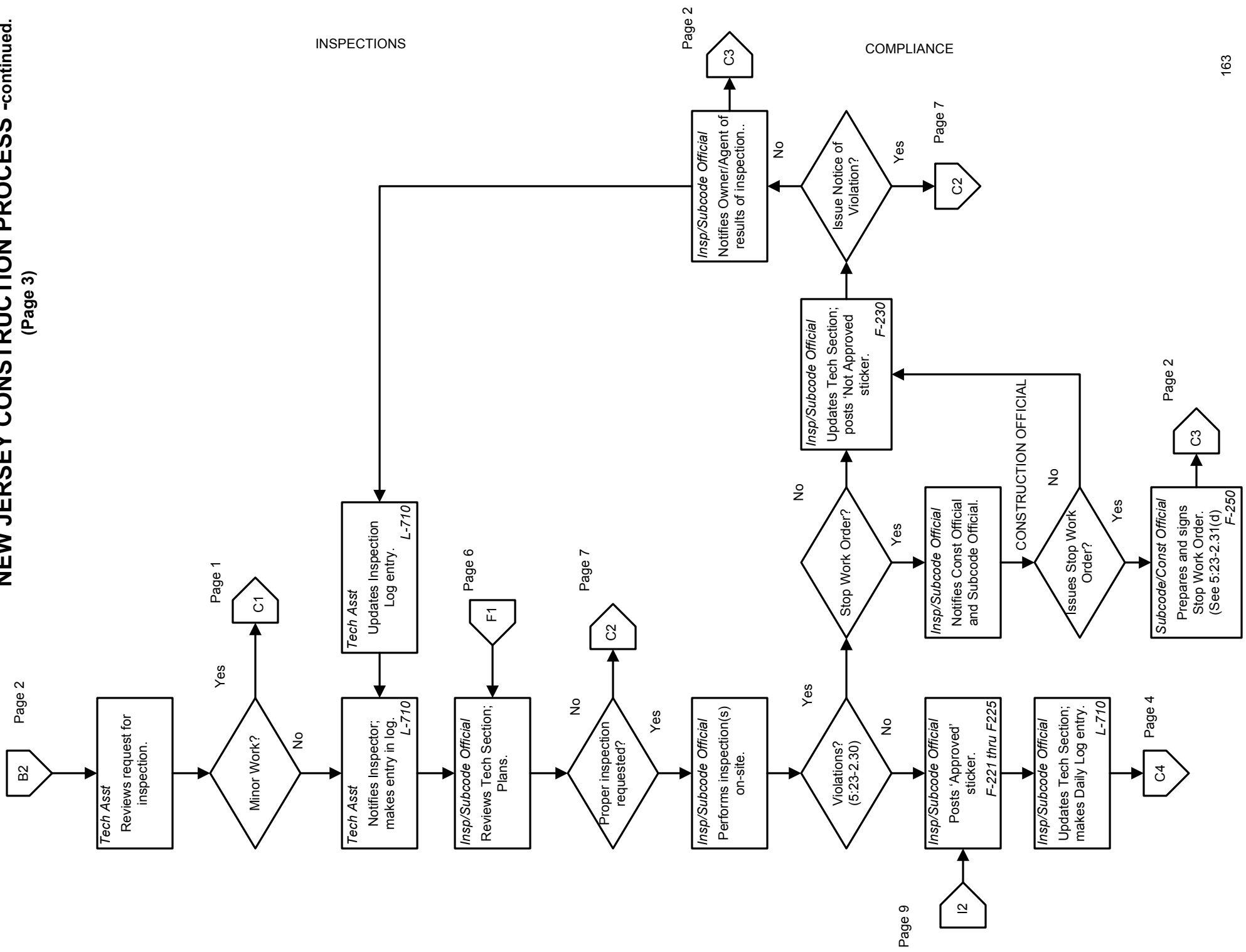
NEW JERSEY CONSTRUCTION PROCESS -continued. (Page 2)



PLAN REVIEW

PERMIT RELEASE

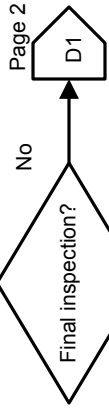
NEW JERSEY CONSTRUCTION PROCESS -continued. (Page 3)



INSPECTIONS

COMPLIANCE

NEW JERSEY CONSTRUCTION PROCESS -continued. (Page 4)



No

Page 2



Yes

Insp/Subcode Official
Complete Tech Section;
Marks 'Final'.
F-110 thru F-150

Subcode Official
Reviews Tech Section.
F-110 thru F-150

Tech Asst
Retrieves file; makes
final review for
completion.

Tech Asst
Prepares approp. Cert
based on pg. 3.
(See 5:23-2.23 & 5:23-
2.23A)
F-260

Owner/Agent
Requests Certificate.
(See 5:23-2.23(g), (i),
(m) and (p);
& 5:23- 2.24)
F-270

Tech Asst
Reviews and compares
request to prepared
Certificate.

Tech Asst
Resolves correct
Certificate with Const
Official.

No

Yes

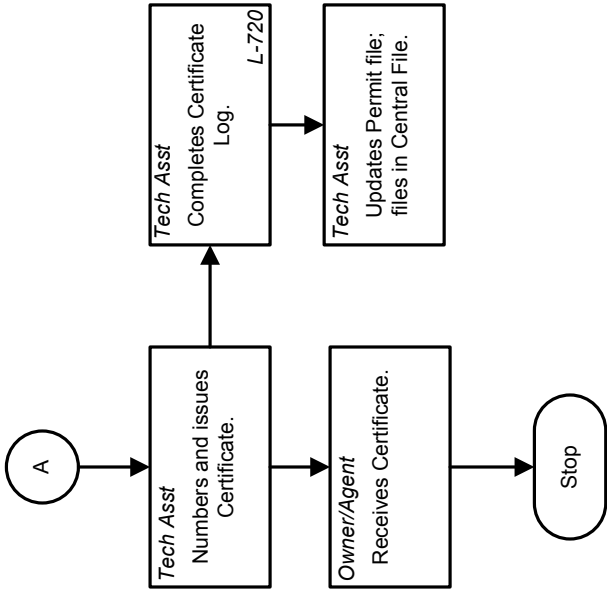
Tech Asst
Collects fee, if any.

Const Official
Signs Certificate.
(See 5:23-2.23(j)3 &
5:23-4.5(h))
F-260



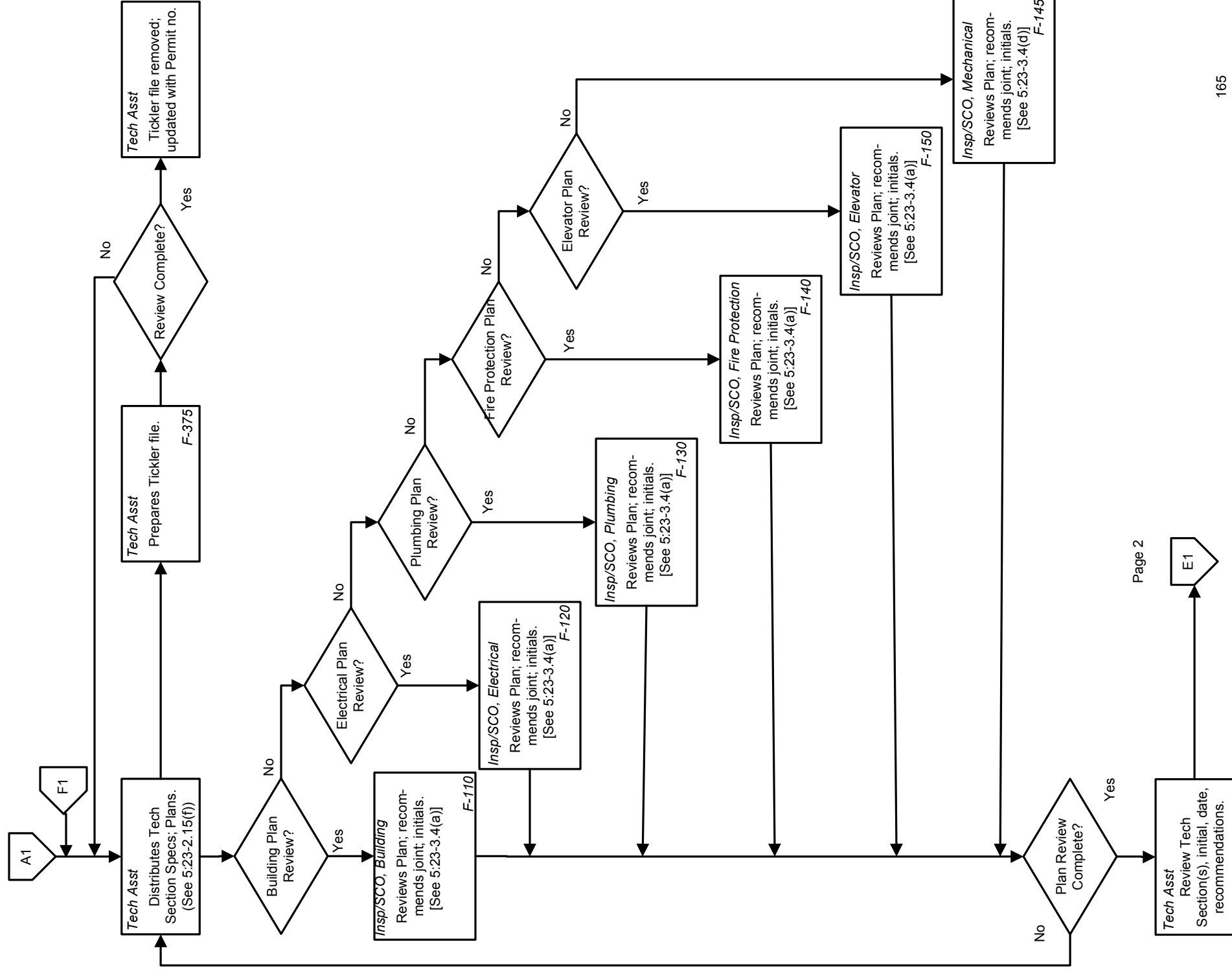
FINAL INSPECTIONS

CERTIFICATE



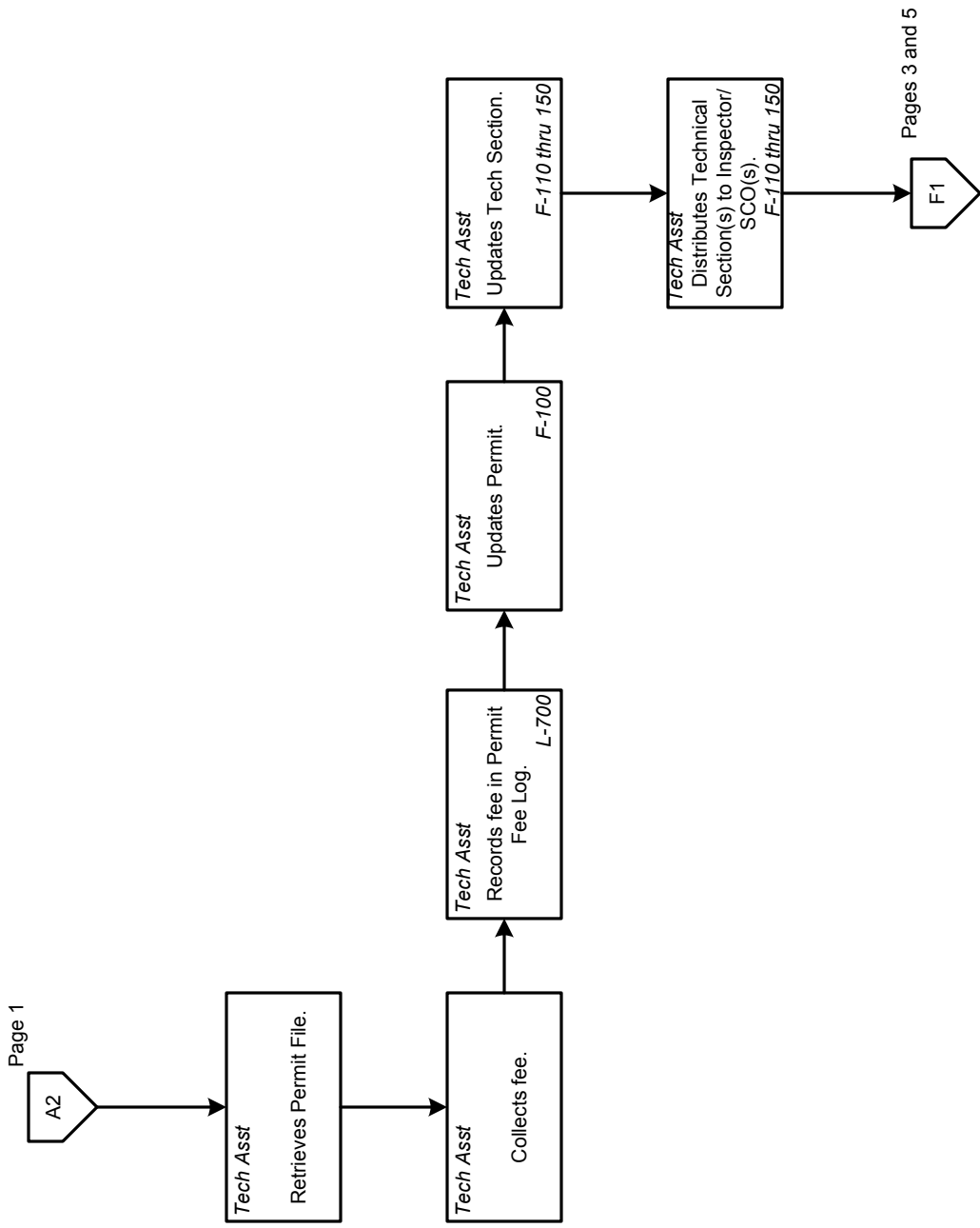
NEW JERSEY CONSTRUCTION PROCESS -Subroutine A: Plan Review (Page 5)

Page 1 Page 6



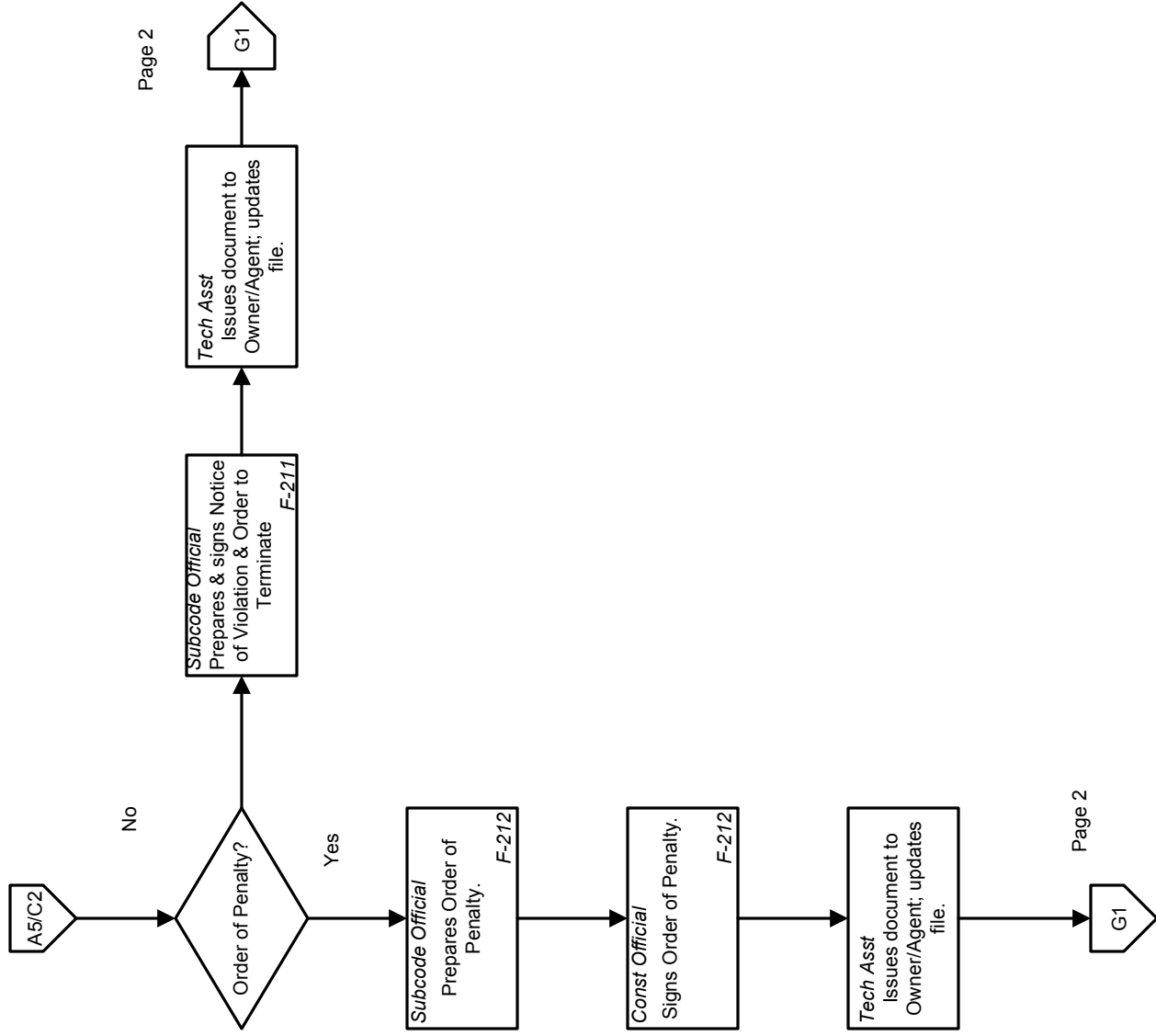
Page 2

NEW JERSEY CONSTRUCTION PROCESS -Subroutine B: Permit Update (Page 6)

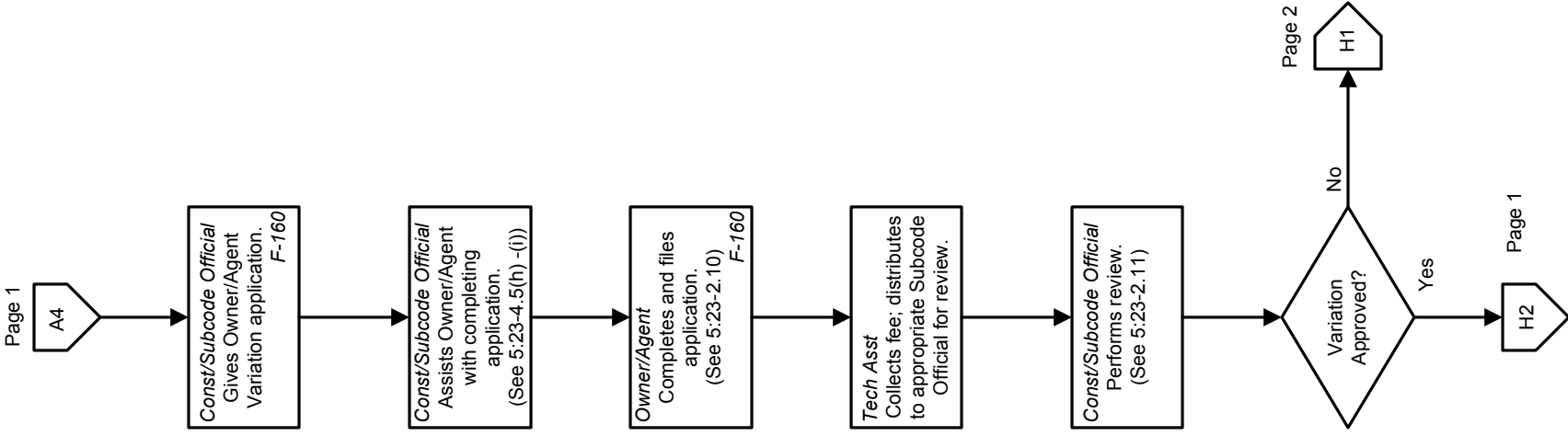


NEW JERSEY CONSTRUCTION PROCESS -Subroutine F: Notice and Order of Penalty; Notice of Violation and Order to Terminate (Page 7)

Pages 1 and 3



NEW JERSEY CONSTRUCTION PROCESS -Subroutine C: Variations
(Page 8)



NEW JERSEY CONSTRUCTION PROCESS -Subroutine G: Appeal Process (Page 9)

